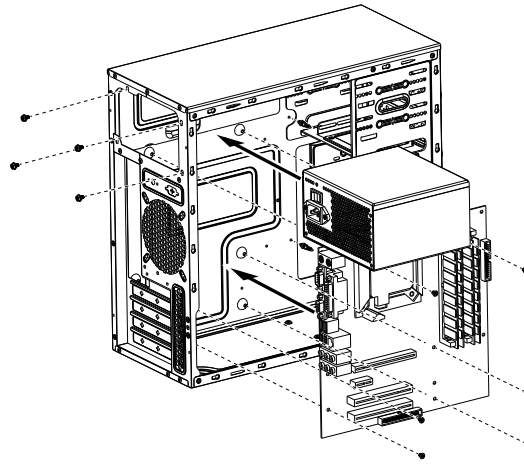


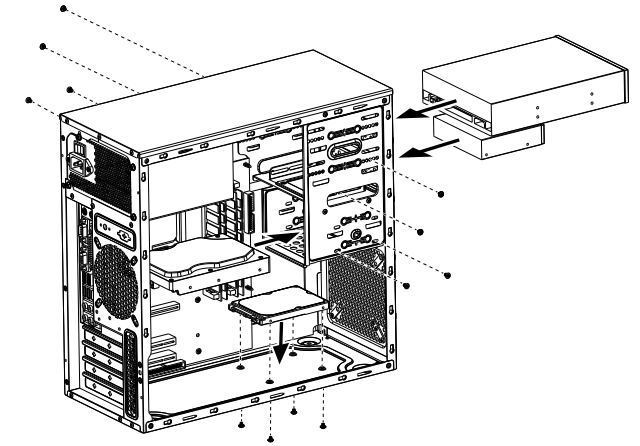
Step 1: Removing side panels & front bezel

- 1) Remove both screws "A" of the side panels. Slide the side panels 2cm backward and pull them away from the case.
- 2) Grip the bottom edge of the bezel firmly and carefully pull it forward, away from the case.



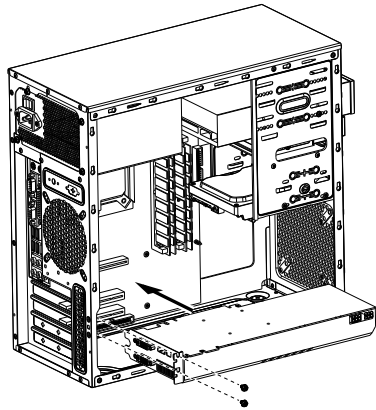
Step 2: Installing power supply (PSU) & motherboard (MB)

- 1) Place the PSU behind the PSU opening so that it sits securely on the supports, then secure 4 screws "B" to the PSU.
- 2) Depending on the dimensions of the MB, install plastic MB stand-offs "S" onto the MB plate. *
- 3) Follow the instructions of the manual of the MB to install the MB, by using screws "D".



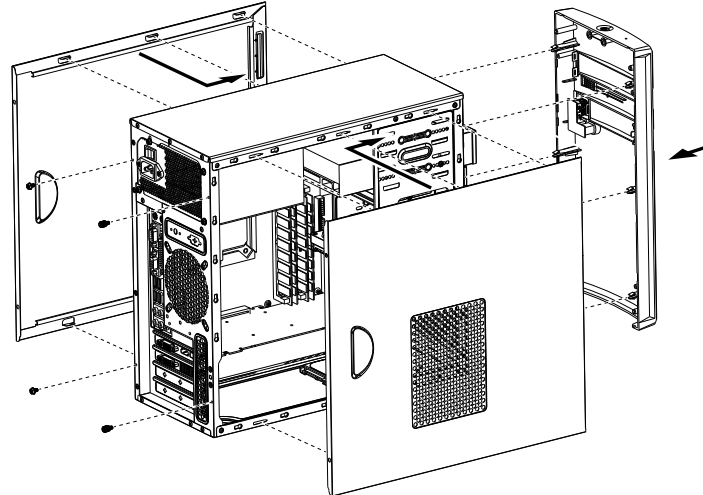
Step 3: Installing 5.25" & 3.5" HDD & SSD devices

- 1) Remove (break out) the metal covers of the bays where you plan to install the devices.
- 2) Insert the devices into the bays. Secure each 5.25" / 3.5" device with 2 screws "C". Secure the 2.5" device at the bottom of the case with 4 screws "C".
- 3) Insert the HDD into the HDD bracket and secure each HDD with 4 screws "D".



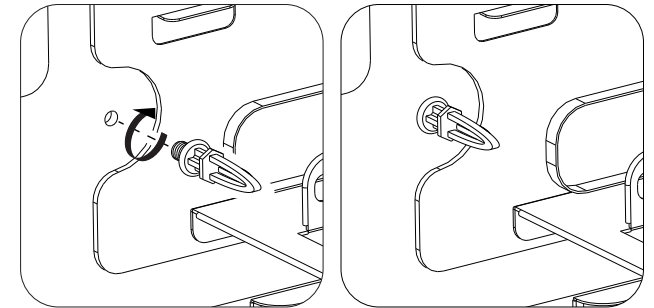
Step 4: Installing add-on cards

- 1) Remove (break out) the metal covers corresponding with the slots where you plan to install the add-on cards.
- 2) Follow the instructions of the manuals of the add-on cards. Mount the add-on cards by using screws "B".








Step 5: Mounting the front bezel & side panels

- 1) Remove the 5.25" & 3.5" plastic covers on the bezel that are corresponding to the bays in which you have installed the devices.
- 2) Align well the 6 snap-pins behind the bezel to the corresponding holes on the front of the case, and push the bezel towards the case until it is securely mounted to the case.
- 3) Connect the wires of Power switch, Power LED, HDD LED, USB & Audio to the MB, according to the MB manual.
- 4) Align well the metal hooks of the side panels to the corresponding holes on the side of the case, and push the side panel towards the case until the edges are flushed.
- 5) Slide the side panels forward and secure the side panels with screws "A".



* Installing plastic MB stand-offs "S" onto the MB plate

Stand-off S		
Screw A		Screw C  fine thread
Screw B		Screw D 
TMB series		